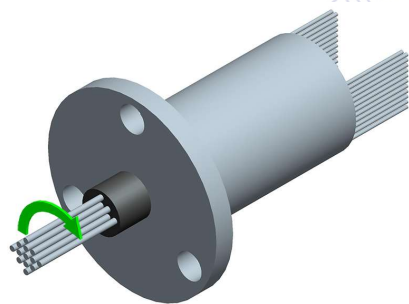
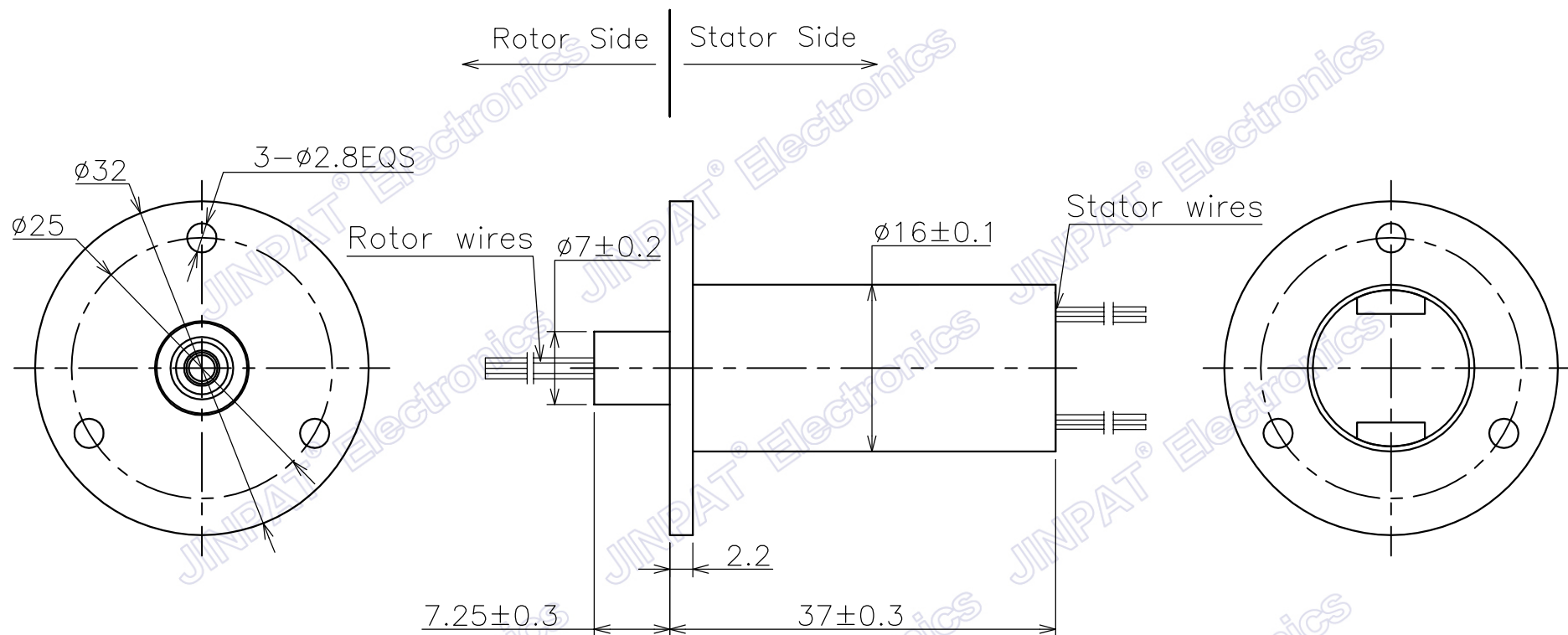

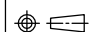


MARK	CONTENT OF AMENDMENT	DATE	DRAW

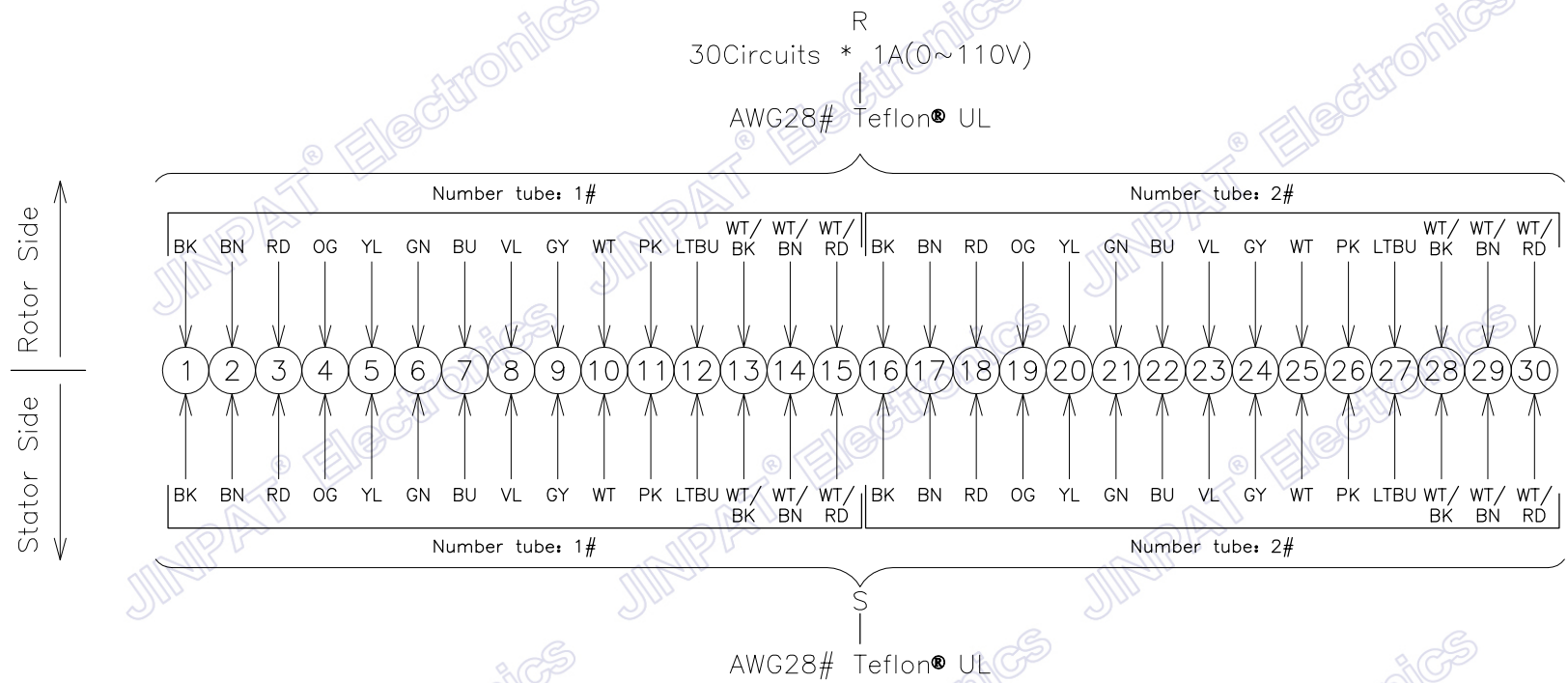
This document is the property of JINPAT Electronics Co., Ltd (ShenZhen) (Hereafter "JINPAT"). It is lent and is to be returned upon request. The contents of this document are confidential and constitute trade secrets propriety to JINPAT. Its contents document nor its contents shall be disclosed to any unauthorized person copied or published without JINPAT prior written consent.  
COPY RIGHT © 2022 JINPAT ELECTRONICS Co., Ltd (ShenZhen).



 <b>JINPAT</b> <a href="http://www.slipring.cn">www.slipring.cn</a>	MODEL	LPM-30					
	Customer code		TITLE	Outline Drawing			
	UNIT	mm	TOL UNLESS SPECIFIED	DESIGN	ZYH	DATE	2022.04.02
	SCALE	1:1	LINEAR 0--18 ±0.1 >18--80 ±0.15 >80--250 ±0.2 ANGLE x° ±0.5°	CHECKED	LML	DATE	2022.04.02
PROJ.			REV.	AO	PAGE	1/2	

MARK	CONTENT OF AMENDMENT	DATE	DRAW

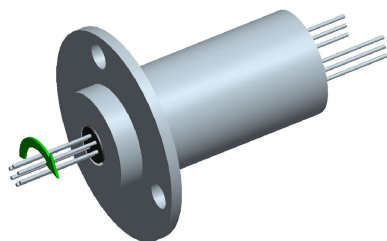
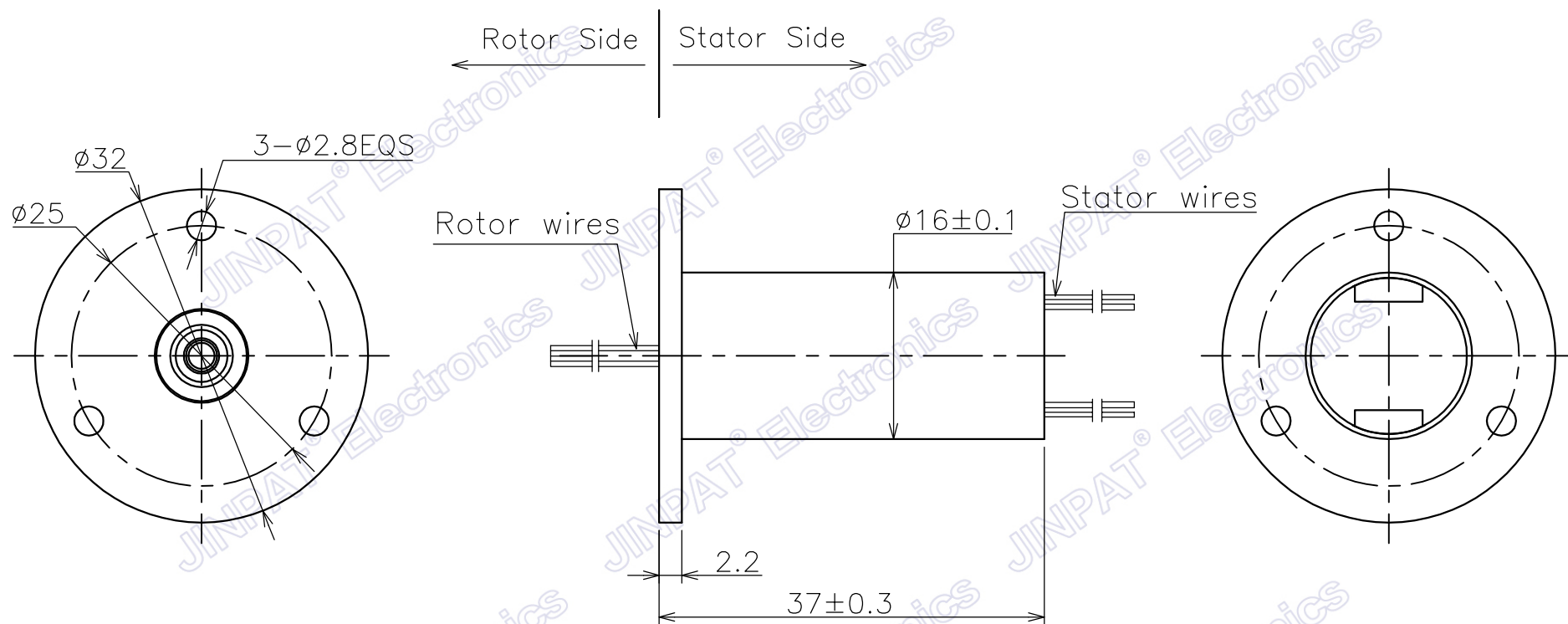
This document is the property of JINPAT Electronics Co., Ltd (ShenZhen) (Hereafter "JINPAT"). It is lent and is to be returned upon request. The contents of this document are confidential and constitute trade secrets proprietary to JINPAT. Its contents document nor its contents shall be disclosed to any unauthorized person copied or published without JINPAT prior written consent.  
COPY RIGHT © 2022 JINPAT ELECTRONICS Co., Ltd (ShenZhen).


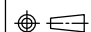


Electronic & Electric			Mechanical		<p><b>JINPAT</b> www.slipring.cn</p>					MODEL		LPM-30				
Circuits	Total	30 CKT	Working Speed	0~300rpm						Customer code	TITLE		Wiring Diagram			
	Detail	30x1A	Contact Material	Gold to Gold												
Rating Voltage		0~110V AC/DC	Housing Material							DESIGN		ZYH	DATE	2022.04.02		
Dielectric Strength		≥300VAC@50Hz	Lead Wire Length							CHECKED		LML	DATE	2022.04.02		
Insulation Resistance		≥500MΩ@300VDC	Eletrical Noise							REV.		AO	PAGE	2/2		
Environment			Remarks		UNIT		mm		TOL UNLESS SPECIFIED							
Working Temperature		-20°C~+60°C	Application		SCALE		1:1		LINEAR 0-18 ±0.1 >18--80 ±0.15 >80--250 ±0.2 ANGLE x° ±0.5°							
Working Humidity		≤60%RH	Other		PROJ.											
IP		IP40														

MARK	CONTENT OF AMENDMENT	DATE	DRAW

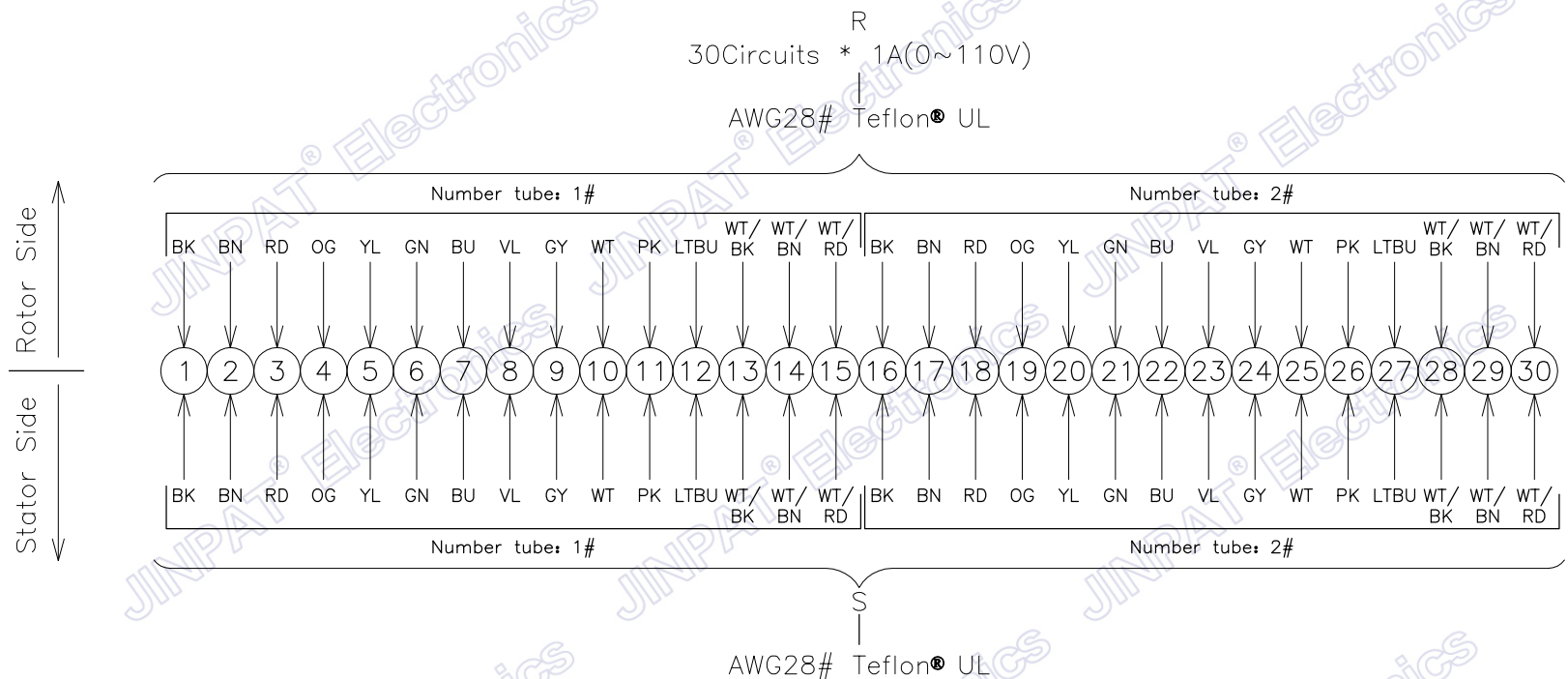
This document is the property of JINPAT Electronics Co., Ltd (ShenZhen) (Hereafter "JINPAT"). It is lent and is to be returned upon request. The contents of this document are confidential and constitute trade secrets propriety to JINPAT. Its contents document nor its contents shall be disclosed to any unauthorized person copied or published without JINPAT prior written consent.  
COPY RIGHT © 2022 JINPAT ELECTRONICS Co., Ltd (ShenZhen).



 <b>JINPAT</b> <a href="http://www.slipring.cn">www.slipring.cn</a>	MODEL	LPM-30YB					
	Customer code		TITLE	Outline Drawing			
	UNIT	mm	TOL UNLESS SPECIFIED	DESIGN	ZYH	DATE	2022.04.02
	SCALE	1:1	LINEAR 0--18 ±0.1 >18--80 ±0.15 >80--250 ±0.2 ANGLE ° ±0.5°	CHECKED	LML	DATE	2022.04.02
PROJ.			REV.	AO	PAGE	1/2	

MARK	CONTENT OF AMENDMENT	DATE	DRAW

This document is the property of JINPAT Electronics Co., Ltd (ShenZhen) (Hereafter "JINPAT"). It is lent and is to be returned upon request. The contents of this document are confidential and constitute trade secrets propriety to JINPAT. Its contents document nor its contents shall be disclosed to any unauthorized person copied or published without JINPAT prior written consent.  
COPY RIGHT © 2022 JINPAT ELECTRONICS Co., Ltd (ShenZhen).



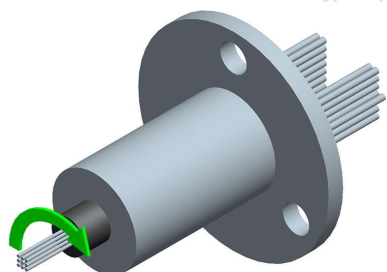
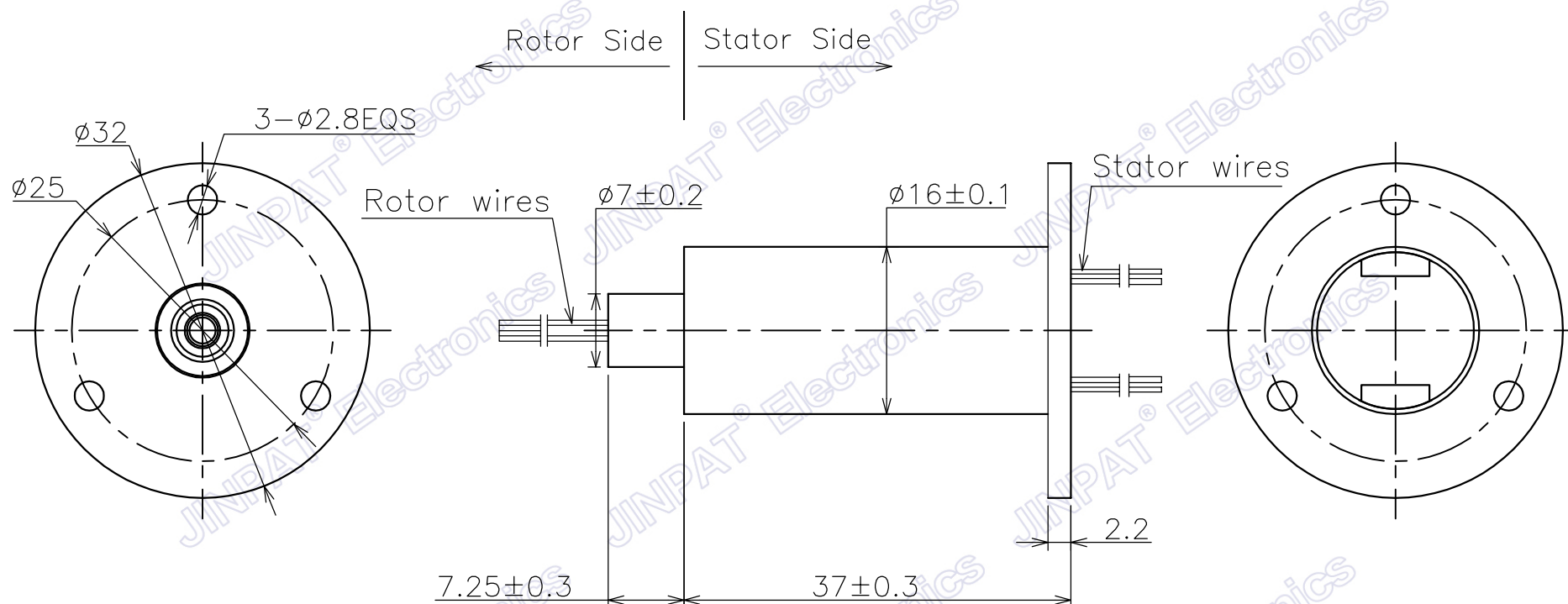
Electronic & Electric		Mechanical		
Circuits	Total	30 CKT	Working Speed	0~300rpm
	Detail	30x1A	Contact Material	Gold to Gold
Rating Voltage		0~110V AC/DC	Housing Material	Aluminum Alloy
Dielectric Strength		≥300VAC@50Hz	Lead Wire Length	Stator:250±5mm Rotor:250±5mm
Insulation Resistance		≥500MΩ@300VDC	Electrical Noise	≤35mΩ
Environment		Remarks		
Working Temperature	-20°C~+60°C	Application	/	
Working Humidity	≤60%RH	Other	/	
IP	IP40			


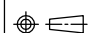
  
**JINPAT**  
[www.slipring.cn](http://www.slipring.cn)

MODEL		LPM-30YB				
Customer code			TITLE	Wiring Diagram		
	UNIT	mm	DESIGN	ZYH	DATE	2022.04.02
SCALE	1:1	TOL UNLESS SPECIFIED LINEAR 0-18 ±0.1 >18-80 ±0.15 >80-250 ±0.2 ANGLE x° ±0.5°	CHECKED	LML	DATE	2022.04.02
			PROJ.	REV.	AO	PAGE

MARK	CONTENT OF AMENDMENT	DATE	DRAW

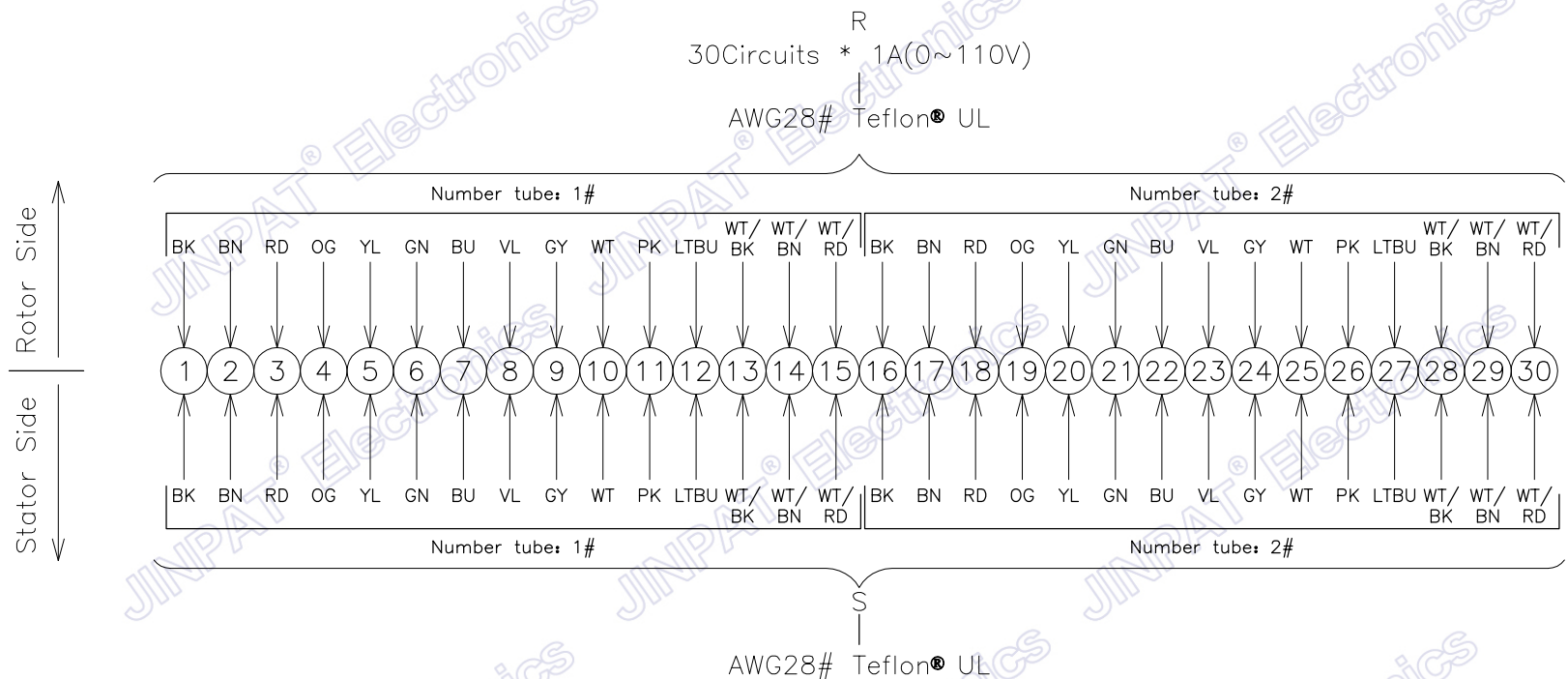
This document is the property of JINPAT Electronics Co., Ltd (ShenZhen) (Hereafter "JINPAT"). It is lent and is to be returned upon request. The contents of this document are confidential and constitute trade secrets propriety to JINPAT. Its contents document nor its contents shall be disclosed to any unauthorized person copied or published without JINPAT prior written consent.  
COPY RIGHT © 2022 JINPAT ELECTRONICS Co., Ltd (ShenZhen).



 <b>JINPAT</b> <a href="http://www.slipring.cn">www.slipring.cn</a>		MODEL	LPM-30YD					
		Customer code				TITLE	Outline Drawing	
UNIT	mm	TOL UNLESS SPECIFIED LINEAR 0-18 ±0.1 >18-80 ±0.15 >80-250 ±0.2 ANGLE ° ±0.5°	DESIGN	ZYH	DATE	2022.04.02		
SCALE	1:1		CHECKED	LML	DATE	2022.04.02		
PROJ.			REV.	AO	PAGE	1/2		

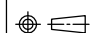
MARK	CONTENT OF AMENDMENT	DATE	DRAW

This document is the property of JINPAT Electronics Co., Ltd (ShenZhen) (Hereafter "JINPAT"). It is lent and is to be returned upon request. The contents of this document are confidential and constitute trade secrets proprietary to JINPAT. Its contents document nor its contents shall be disclosed to any unauthorized person copied or published without JINPAT prior written consent.  
COPY RIGHT © 2022 JINPAT ELECTRONICS Co., Ltd (ShenZhen).



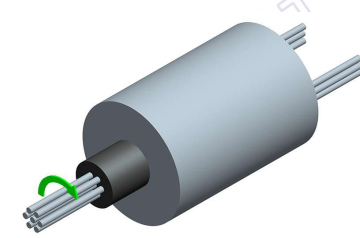
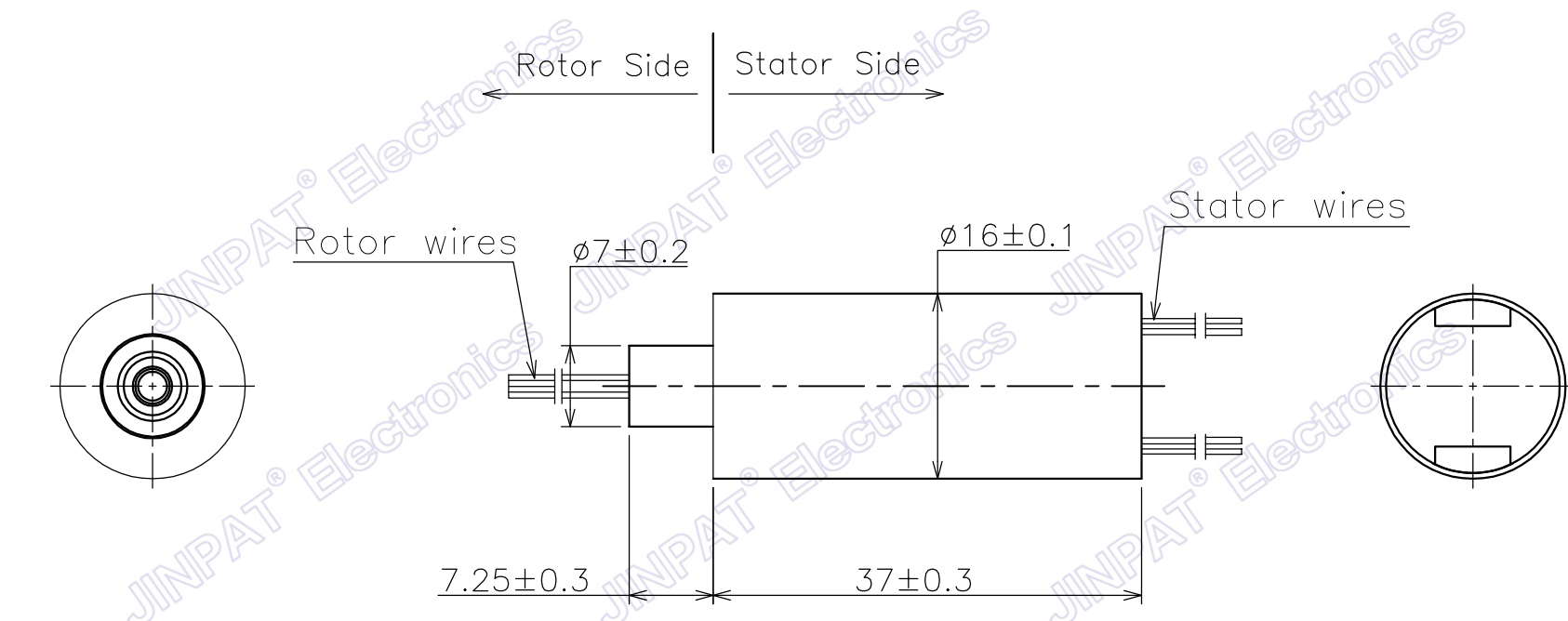
Electronic & Electric		Mechanical		
Circuits	Total	30 CKT	Working Speed	0~300rpm
	Detail	30x1A	Contact Material	Gold to Gold
Rating Voltage		0~110V AC/DC	Housing Material	Aluminum Alloy
Dielectric Strength		≥300VAC@50Hz	Lead Wire Length	Stator:250±5mm Rotor:250±5mm
Insulation Resistance		≥500MΩ@300VDC	Electrical Noise	≤35mΩ
Environment		Remarks		
Working Temperature	-20°C~+60°C	Application	/	
Working Humidity	≤60%RH	Other	/	
IP	IP40			


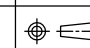
  
**JINPAT**  
[www.slipring.cn](http://www.slipring.cn)

MODEL		LPM-30YD				
Customer code		TITLE	Wiring Diagram			
UNIT	mm	TOL UNLESS SPECIFIED	DESIGN	ZYH	DATE	2022.04.02
SCALE	1:1	LINEAR 0~18 ±0.1 >18~80 ±0.15 >80~250 ±0.2 ANGLE x° ±0.5°	CHECKED	LML	DATE	2022.04.02
PROJ.			REV.	AO	PAGE	2/2

MARK	CONTENT OF AMENDMENT	DATE	DRAW

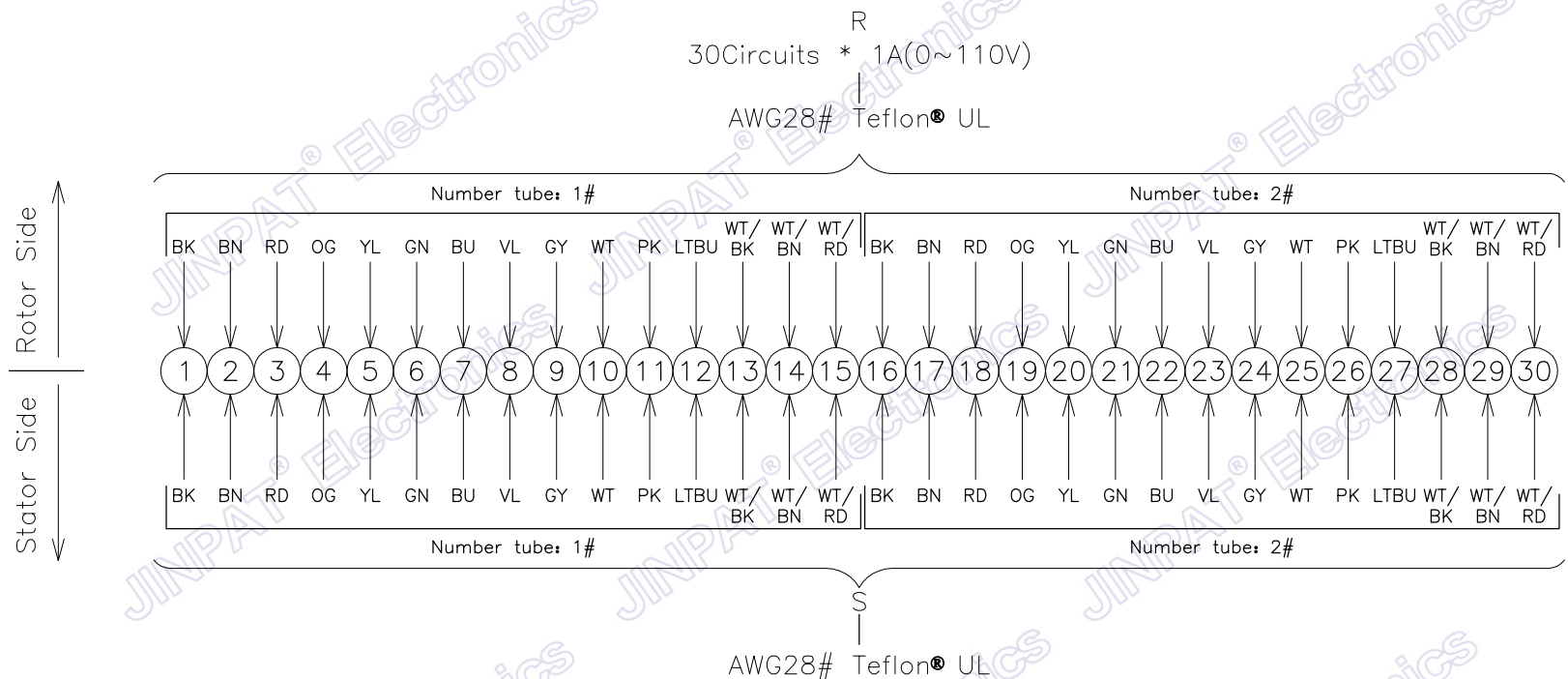
This document is the property of JINPAT Electronics Co., Ltd (ShenZhen) (Hereafter "JINPAT"). It is lent and is to be returned upon request. The contents of this document are confidential and constitute trade secrets propriety to JINPAT. Its contents document nor its contents shall be disclosed to any unauthorized person copied or published without JINPAT prior written consent.  
 COPY RIGHT © 2022 JINPAT ELECTRONICS Co., Ltd (ShenZhen).



 <b>JINPAT</b> <a href="http://www.slipring.cn">www.slipring.cn</a>	MODEL	LPM-30YU					
	Customer code		TITLE	Outline Drawing			
UNIT	mm	TOL UNLESS SPECIFIED	DESIGN	ZYH	DATE	2022.04.02	
SCALE	1:1	LINEAR 0--18 ±0.1 >18--80 ±0.15 >80--250 ±0.2 ANGLE ° ±0.5°	CHECKED	LML	DATE	2022.04.02	
PROJ.			REV.	AO	PAGE	1/2	

MARK	CONTENT OF AMENDMENT	DATE	DRAW

This document is the property of JINPAT Electronics Co., Ltd (ShenZhen) (Hereafter "JINPAT"). It is lent and is to be returned upon request. The contents of this document are confidential and constitute trade secrets propriety to JINPAT. Its contents document nor its contents shall be disclosed to any unauthorized person copied or published without JINPAT prior written consent.  
COPY RIGHT © 2022 JINPAT ELECTRONICS Co., Ltd (ShenZhen).



Electronic & Electric		Mechanical		
Circuits	Total	30 CKT	Working Speed	0~300rpm
	Detail	30x1A	Contact Material	Gold to Gold
Rating Voltage		0~110V AC/DC	Housing Material	Aluminum Alloy
Dielectric Strength		≥300VAC@50Hz	Lead Wire Length	Stator:250±5mm Rotor:250±5mm
Insulation Resistance		≥500MΩ@300VDC	Electrical Noise	≤35mΩ
Environment		Remarks		
Working Temperature	-20°C~+60°C	Application	/	
Working Humidity	≤60%RH	Other	/	
IP	IP40			

  
**JINPAT**  
[www.slipring.cn](http://www.slipring.cn)

MODEL		LPM-30YU				
Customer code		TITLE	Wiring Diagram			
	UNIT	mm	DESIGN	ZYH	DATE	2022.04.02
SCALE	1:1	TOL UNLESS SPECIFIED LINEAR 0-18 ±0.1 >18-80 ±0.15 >80-250 ±0.2 ANGLE x° ±0.5°	CHECKED	LML	DATE	2022.04.02
			PROJ.	REV.	AO	PAGE