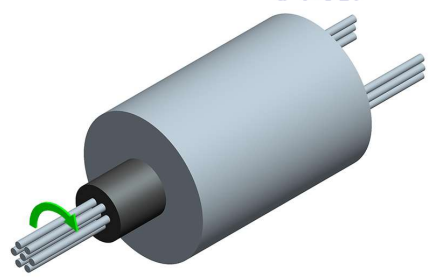
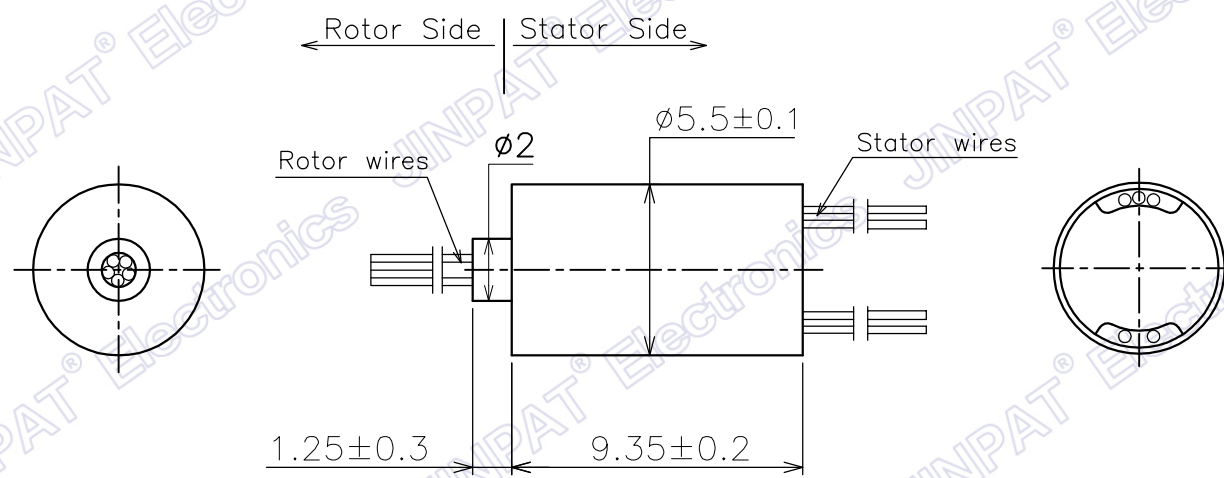

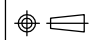


MARK	CONTENT OF AMENDMENT	DATE	DRAW

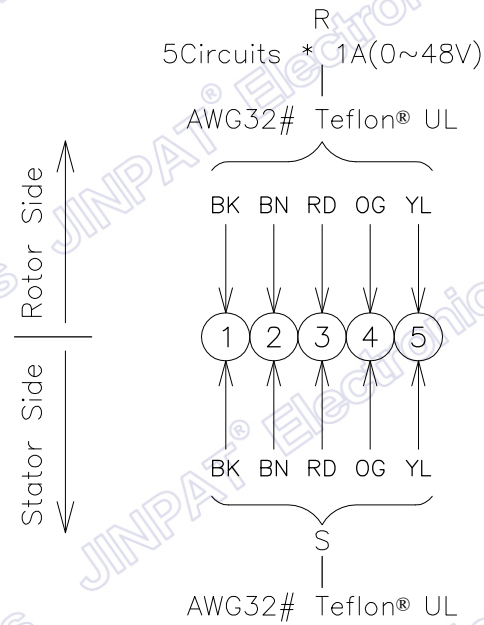
This document is the property of JINPAT Electronics Co., Ltd (ShenZhen) (Hereafter "JINPAT"). It is lent and is to be returned upon request. The contents of this document are confidential and constitute trade secrets propriety to JINPAT. Its contents document nor its contents shall be disclosed to any unauthorized person copied or published without JINPAT prior written consent.
 COPY RIGHT © 2022 JINPAT ELECTRONICS Co., Ltd (ShenZhen).



 JINPAT www.slipring.cn	MODEL	LPMS-05					
	Customer code		TITLE	Outline Drawing			
	UNIT	mm	TOL UNLESS SPECIFIED	DESIGN	ZYH	DATE	2022.04.02
	SCALE	1:1	LINEAR 0--18 ±0.1 >18--80 ±0.15 >80--250 ±0.2 ANGLE ° ±0.5°	CHECKED	LML	DATE	2022.04.02
PROJ.			REV.	AO	PAGE	1/2	

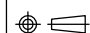
MARK	CONTENT OF AMENDMENT	DATE	DRAW

This document is the property of JINPAT Electronics Co., Ltd (ShenZhen) (Hereafter "JINPAT"). It is lent and is to be returned upon request. The contents of this document are confidential and constitute trade secrets propriety to JINPAT. Its contents document nor its contents shall be disclosed to any unauthorized person copied or published without JINPAT prior written consent.
COPY RIGHT © 2022 JINPAT ELECTRONICS Co., Ltd (ShenZhen).



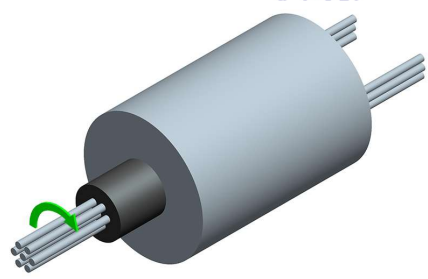
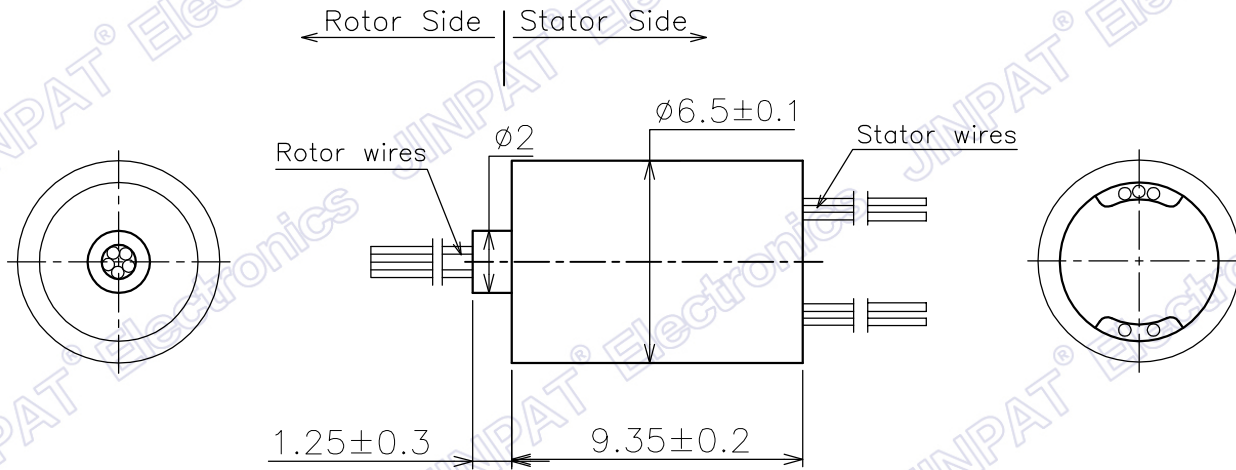
Electronic & Electric		Mechanical		
Circuits	Total	5 CKT	Working Speed	0~300rpm
	Detail	5x1A	Contact Material	Gold to Gold
Rating Voltage		0~48V AC/DC	Housing Material	Stainless steel
Dielectric Strength		≥100VAC@50Hz	Lead Wire Length	Stator:250±5mm Rotor:250±5mm
Insulation Resistance		≥100MQ@100VDC	Electrical Noise	≤35mΩ
Environment		Remarks		
Working Temperature	-20°C~+60°C	Application	/	
Working Humidity	≤60%RH	Other	/	
IP	IP40			


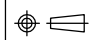

JINPAT
www.slipring.cn

MODEL		LPMS-05				
Customer code		TITLE	Wiring Diagram			
UNIT	mm	TOL UNLESS SPECIFIED	DESIGN	ZYH	DATE	2022.04.02
SCALE	1:1	LINEAR 0--18 ±0.1 >18--80 ±0.15 >80--250 ±0.2 ANGLE x° ±0.5°	CHECKED	LML	DATE	2022.04.02
PROJ.			REV.	AO	PAGE	2/2

MARK	CONTENT OF AMENDMENT	DATE	DRAW

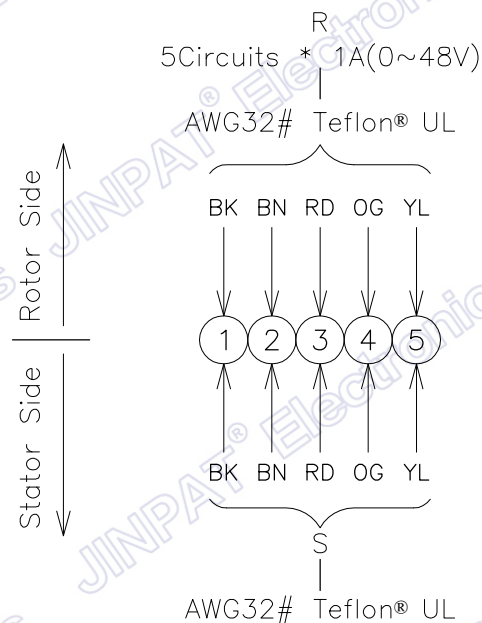
This document is the property of JINPAT Electronics Co., Ltd (ShenZhen) (Hereafter "JINPAT"). It is lent and is to be returned upon request. The contents of this document are confidential and constitute trade secrets propriety to JINPAT. Its contents document nor its contents shall be disclosed to any unauthorized person copied or published without JINPAT prior written consent.
 COPY RIGHT © 2022 JINPAT ELECTRONICS Co., Ltd (ShenZhen).



 JINPAT www.slipring.cn	MODEL	LPMS-05YP					
	Customer code		TITLE	Outline Drawing			
	UNIT	mm	TOL UNLESS SPECIFIED	DESIGN	ZYH	DATE	2022.04.02
	SCALE	1:1	LINEAR 0--18 ±0.1 >18--80 ±0.15 >80--250 ±0.2 ANGLE ° ±0.5°	CHECKED	LML	DATE	2022.04.02
PROJ.			REV.	AO	PAGE	1/2	

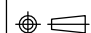
MARK	CONTENT OF AMENDMENT	DATE	DRAW

This document is the property of JINPAT Electronics Co., Ltd (ShenZhen) (Hereafter "JINPAT"). It is lent and is to be returned upon request. The contents of this document are confidential and constitute trade secrets propriety to JINPAT. Its contents document nor its contents shall be disclosed to any unauthorized person copied or published without JINPAT prior written consent.
COPY RIGHT © 2022 JINPAT ELECTRONICS Co., Ltd (ShenZhen).



Electronic & Electric		Mechanical		
Circuits	Total	5 CKT	Working Speed	0~300rpm
	Detail	5x1A	Contact Material	Gold to Gold
Rating Voltage		0~48V AC/DC	Housing Material	Engineering plastics
Dielectric Strength		≥100VAC@50Hz	Lead Wire Length	Stator:250±5mm Rotor:250±5mm
Insulation Resistance		≥100MQ@100VDC	Electrical Noise	≤35mΩ
Environment		Remarks		
Working Temperature	-20°C~+60°C	Application	/	
Working Humidity	≤60%RH	Other	/	
IP	IP40			


JINPAT
www.slipring.cn

MODEL		LPMS-05YP				
Customer code		TITLE	Wiring Diagram			
UNIT	mm	TOL UNLESS SPECIFIED	DESIGN	ZYH	DATE	2022.04.02
SCALE	1:1	LINEAR 0--18 ±0.1 >18--80 ±0.15 >80--250 ±0.2 ANGLE x° ±0.5°	CHECKED	LML	DATE	2022.04.02
PROJ.			REV.	AO	PAGE	2/2