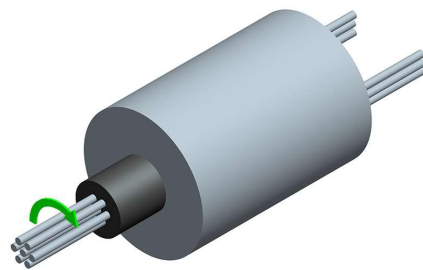
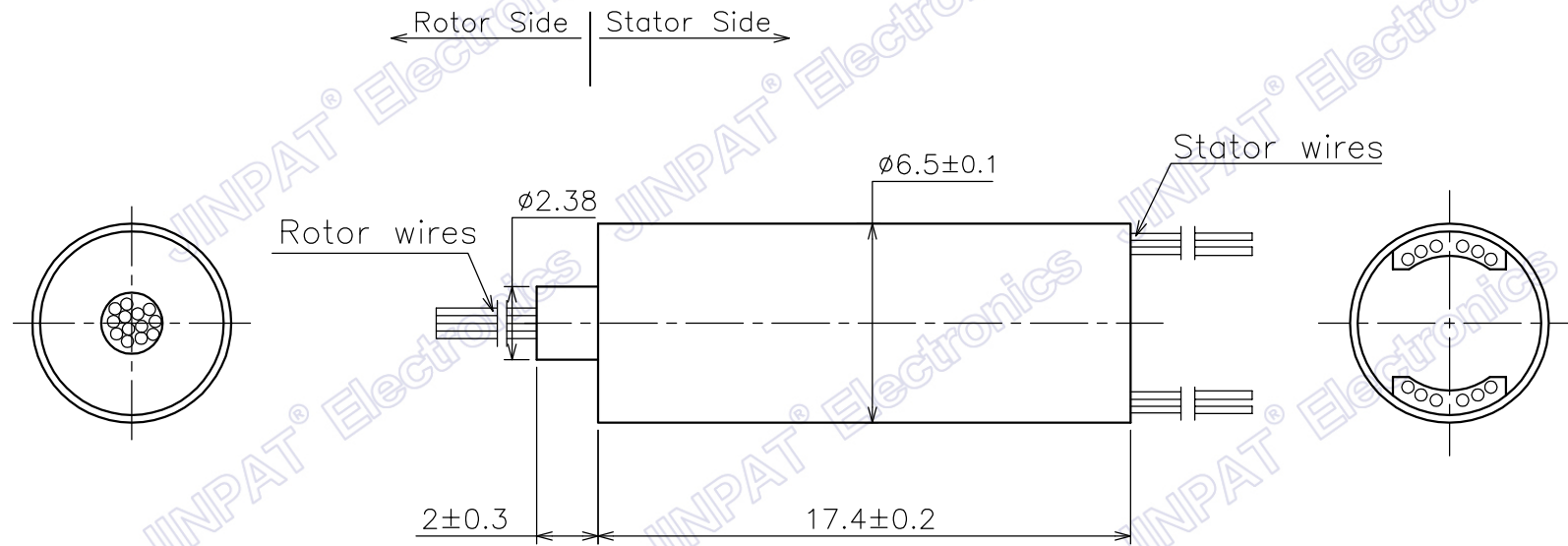

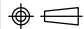


| MARK | CONTENT OF AMENDMENT | DATE | DRAW |
|------|----------------------|------|------|
|      |                      |      |      |
|      |                      |      |      |
|      |                      |      |      |

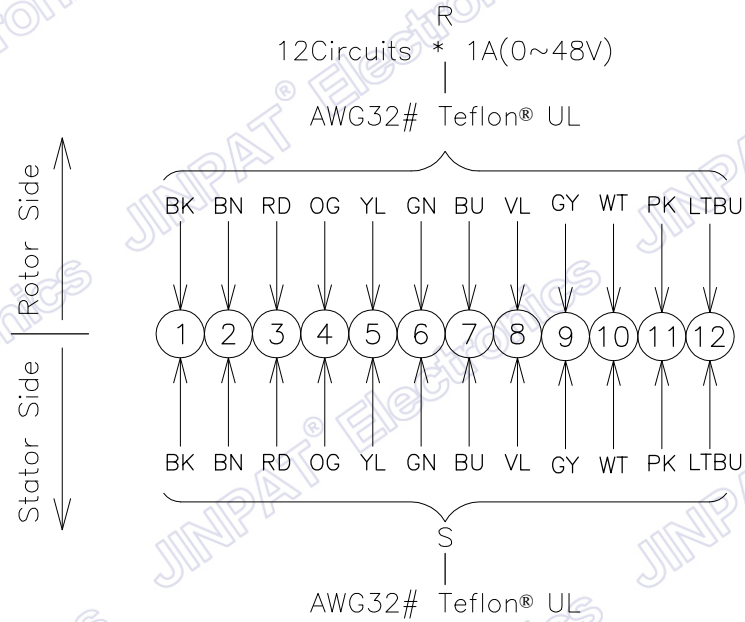
This document is the property of JINPAT Electronics Co., Ltd (ShenZhen) (Hereafter "JINPAT"). It is lent and is to be returned upon request. The contents of this document are confidential and constitute trade secrets propriety to JINPAT. Its contents document nor its contents shall be disclosed to any unauthorized person copied or published without JINPAT prior written consent.  
COPY RIGHT © 2022 JINPAT ELECTRONICS Co., Ltd (ShenZhen).



|  |   |         |  |                 |      |      |            |
|--|---|---------|--|-----------------|------|------|------------|
| <br><b>JINPAT</b><br><a href="http://www.slipring.cn">www.slipring.cn</a> | MODEL   | LPMS-12 |  |                 |      |      |            |
|  | Customer code   |         | TITLE  | Outline Drawing |      |      |            |
|  | UNIT  | mm      | TOL UNLESS SPECIFIED   | DESIGN          | ZYH  | DATE | 2022.04.02 |
|  | SCALE   | 1:1     | LINEAR<br>0--18 ±0.1<br>>18--80 ±0.15<br>>80--250 ±0.2<br>ANGLE<br>° ±0.5° | CHECKED         | LML  | DATE | 2022.04.02 |
| PROJ.  |  |         | REV.   | AO              | PAGE | 1/2  |            |

| MARK | CONTENT OF AMENDMENT | DATE | DRAW |
|------|----------------------|------|------|
|      |                      |      |      |
|      |                      |      |      |
|      |                      |      |      |

This document is the property of JINPAT Electronics Co., Ltd (ShenZhen) (Hereafter "JINPAT"). It is lent and is to be returned upon request. The contents of this document are confidential and constitute trade secrets propriety to JINPAT. Its contents document nor its contents shall be disclosed to any unauthorized person copied or published without JINPAT prior written consent.  
COPY RIGHT © 2022 JINPAT ELECTRONICS Co., Ltd (ShenZhen).



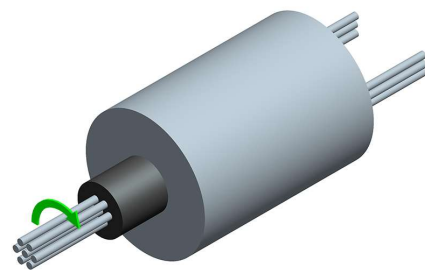
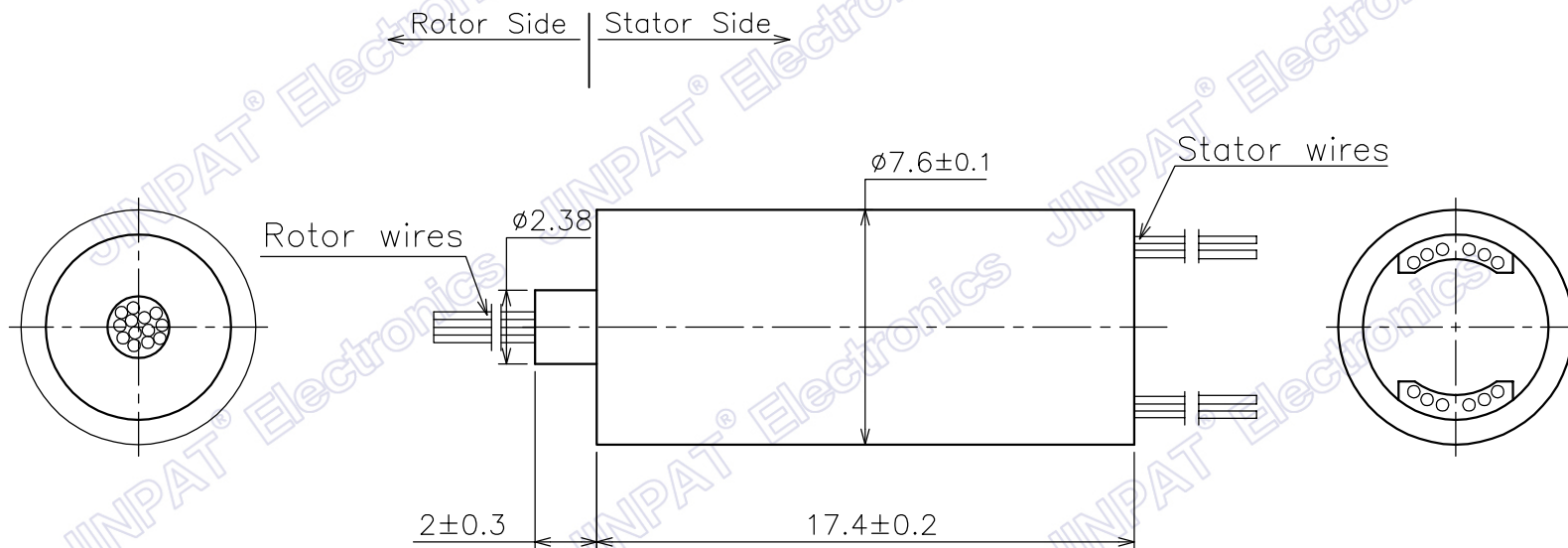
| Electronic & Electric |             | Mechanical    |                  |                              |
|-----------------------|-------------|---------------|------------------|------------------------------|
| Circuits              | Total       | 12 CKT        | Working Speed    | 0~300rpm                     |
|                       | Detail      | 12x1A         | Contact Material | Gold to Gold                 |
| Rating Voltage        |             | 0~48V AC/DC   | Housing Material | Stainless steel              |
| Dielectric Strength   |             | ≥100VAC@50Hz  | Lead Wire Length | Stator:250±5mm Rotor:250±5mm |
| Insulation Resistance |             | ≥100MQ@100VDC | Electrical Noise | ≤35mΩ                        |
| Environment           |             | Remarks       |                  |                              |
| Working Temperature   | -20°C~+60°C | Application   | /                |                              |
| Working Humidity      | ≤60%RH      | Other         | /                |                              |
| IP                    | IP40        |               |                  |                              |


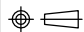


| MODEL         |     | LPMS-12   |                |     |      |            |
|---------------|-----|---|----------------|-----|------|------------|
| Customer code |     | TITLE   | Wiring Diagram |     |      |            |
| UNIT          | mm  | TOL UNLESS SPECIFIED  | DESIGN         | ZYH | DATE | 2022.04.02 |
| SCALE         | 1:1 | LINEAR<br>0--18 ±0.1<br>>18--80 ±0.15<br>>80--250 ±0.2<br>ANGLE<br>x° ±0.5° | CHECKED        | LML | DATE | 2022.04.02 |
| PROJ.         |     |   | REV.           | AO  | PAGE | 2/2        |

| MARK | CONTENT OF AMENDMENT | DATE | DRAW |
|------|----------------------|------|------|
|      |                      |      |      |
|      |                      |      |      |
|      |                      |      |      |

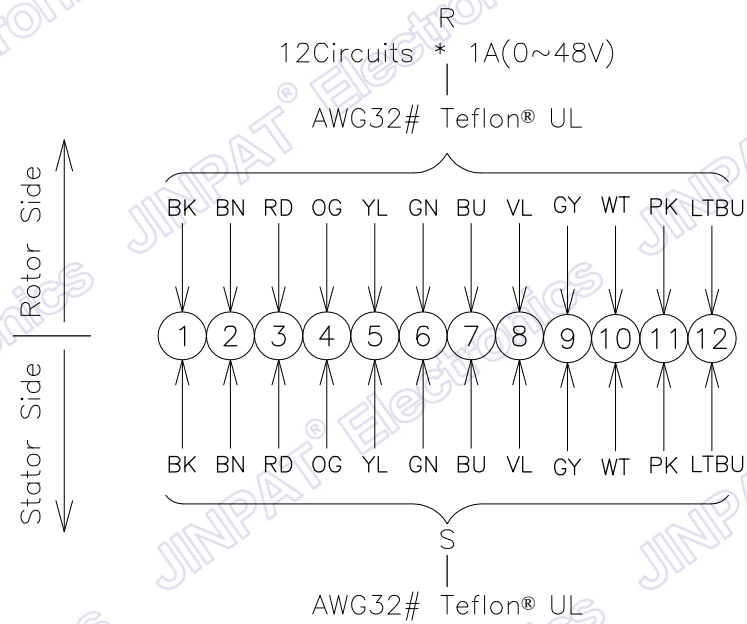
This document is the property of JINPAT Electronics Co., Ltd (ShenZhen) (Hereafter "JINPAT"). It is lent and is to be returned upon request. The contents of this document are confidential and constitute trade secrets propriety to JINPAT. Its contents document nor its contents shall be disclosed to any unauthorized person copied or published without JINPAT prior written consent.  
 COPY RIGHT © 2022 JINPAT ELECTRONICS Co., Ltd (ShenZhen).



|  |   |  |         |                 |      |            |  |
|--|---|--|---------|-----------------|------|------------|--|
| <br><b>JINPAT</b><br><a href="http://www.slipring.cn">www.slipring.cn</a> | MODEL   | LPMS-12YP  |         |                 |      |            |  |
|  | Customer code   |  | TITLE   | Outline Drawing |      |            |  |
| UNIT   | mm  | TOL UNLESS SPECIFIED   | DESIGN  | ZYH             | DATE | 2022.04.02 |  |
| SCALE  | 1:1   | LINEAR<br>0--18 ±0.1<br>>18--80 ±0.15<br>>80--250 ±0.2<br>ANGLE<br>° ±0.5° | CHECKED | LML             | DATE | 2022.04.02 |  |
| PROJ.  |  |  | REV.    | AO              | PAGE | 1/2        |  |

| MARK | CONTENT OF AMENDMENT | DATE | DRAW |
|------|----------------------|------|------|
|      |                      |      |      |
|      |                      |      |      |
|      |                      |      |      |

This document is the property of JINPAT Electronics Co., Ltd (ShenZhen) (Hereafter "JINPAT"). It is lent and is to be returned upon request. The contents of this document are confidential and constitute trade secrets propriety to JINPAT. Its contents document nor its contents shall be disclosed to any unauthorized person copied or published without JINPAT prior written consent.  
COPY RIGHT © 2022 JINPAT ELECTRONICS Co., Ltd (ShenZhen).



| Electronic & Electric |             | Mechanical    |                  |                              |
|-----------------------|-------------|---------------|------------------|------------------------------|
| Circuits              | Total       | 12 CKT        | Working Speed    | 0~300rpm                     |
|                       | Detail      | 12x1A         | Contact Material | Gold to Gold                 |
| Rating Voltage        |             | 0~48V AC/DC   | Housing Material | Engineering plastics         |
| Dielectric Strength   |             | ≥100VAC@50Hz  | Lead Wire Length | Stator:250±5mm Rotor:250±5mm |
| Insulation Resistance |             | ≥100MQ@100VDC | Electrical Noise | ≤35mΩ                        |
| Environment           |             | Remarks       |                  |                              |
| Working Temperature   | -20°C~+60°C | Application   | /                |                              |
| Working Humidity      | ≤60%RH      | Other         | /                |                              |
| IP                    | IP40        |               |                  |                              |



| MODEL         |      | LPMS-12YP   |                |      |      |            |
|---------------|------|---|----------------|------|------|------------|
| Customer code |      | TITLE   | Wiring Diagram |      |      |            |
|               | UNIT | mm  | DESIGN         | ZYH  | DATE | 2022.04.02 |
| SCALE         | 1:1  | TOL UNLESS SPECIFIED<br>LINEAR<br>0--18 ±0.1<br>>18--80 ±0.15<br>>80--250 ±0.2<br>ANGLE<br>x° ±0.5° | CHECKED        | LML  | DATE | 2022.04.02 |
|               |      |   | PROJ.          | REV. | AO   | PAGE       |